

LM-15 SERIES**---- AC-DC MODULE POWER SUPPLY 15W****PRODUCT FEATURES**

- Wide voltage input range: 85-305VAC (100-430VDC)
- Operating temperature: -40°C ~ +70°C
- Full protection features (self-recovery of short circuit protection, etc.)
- High efficiency and high reliability
- Small size, flame retardant plastic shell packaging
- Industrial-grade product technical design

APPLIED RANGE

Power supply systems applicable to wireless networks, telecommunication/data communication, power systems, industrial control systems, measuring instruments and meters, intelligent fields, etc. They are suitable for designs requiring wide input voltage range fluctuation, power isolation, and compact PCB layout space. Meanwhile, they can realize product functional modularization and improve product reliability.

PRODUCT MODEL

Model	Output voltage (Vo)	Output Current(Io)	Efficiency (TYP)
LM15-S05A1	5V	3000mA	77%
LM15-S09A1	9V	1666mA	79%
LM15-S12A1	12V	1250mA	81%
LM15-S15A1	15V	1000mA	83%
LM15-S24A1	24V	625mA	83%

*FOR OTHER SPECIFICATIONS OR MODELS, PLEASE CONTACT US DIRECTLY.

INPUT CHARACTERISTICS

Input voltage range	85 ~ 305VAC (120 ~ 43VDC)	
Incoming frequency	47 ~ 63Hz	
Input currenton	125mA (TYP) @115VAc	80mA (TYP)@ 230VAc
External fuse (recommended value)	2A/250V Slow Break	

OUTPUT CHARACTERISTIC

Output voltage regulation accuracy	±2%
Line regulation	±0.5% (typ)

Load adjustment rate (10%~100%)	±1% (typ)
Minimum load	10%
Output ripple + noise (peak-to-peak)	100mV(typ) (20MHz Bandwidth)
Short-circuit protection	Can be short-circuited for a long time and self-recover
Output overvoltage protection	≥1.1 times

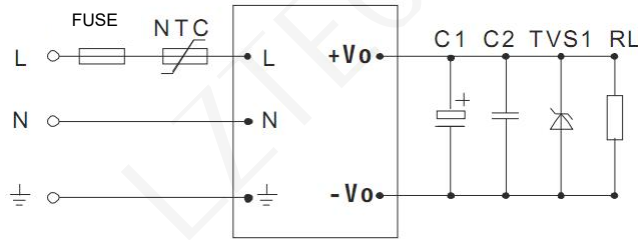
GENERAL CHARACTERISTIC

Temperature Characteristic	Operating temperature	-40°C~+70°C
	Power derating	3.75% / °C ,
	Storage temperature	-40°C~+90°C
	Case temperature	+90°C max
Hold-up time		40ms(typ)/ at Vin:320Vdc
Humidity		85%RH(max)
Temperature coefficient		0.02%/°C
Switching frequency		65kHz(typ)
Isolation voltage	Input--Output	3000Vac/1Min
Leakage current		<5mA RMS typ. 230VAC/50Hz
*ESD immunity		IEC/EN 61000-4-2 level 3 6kV/8kV
* RF radiation immunity		IEC/EN 61000-4-3
*Fast transient pulse group		IEC/EN 61000-4-4 level 3 2 kV
*Surge immunity		IEC/EN 61000-4-5 level 3 1kV/2kV
*Conducted/Radiated emission		EN55022, level A
Security classification		CLASS I
Outer shell grade		Flame-retardant plastic UL94V-0
Mounting method		PCB
MTBF		>200,000h @25°C

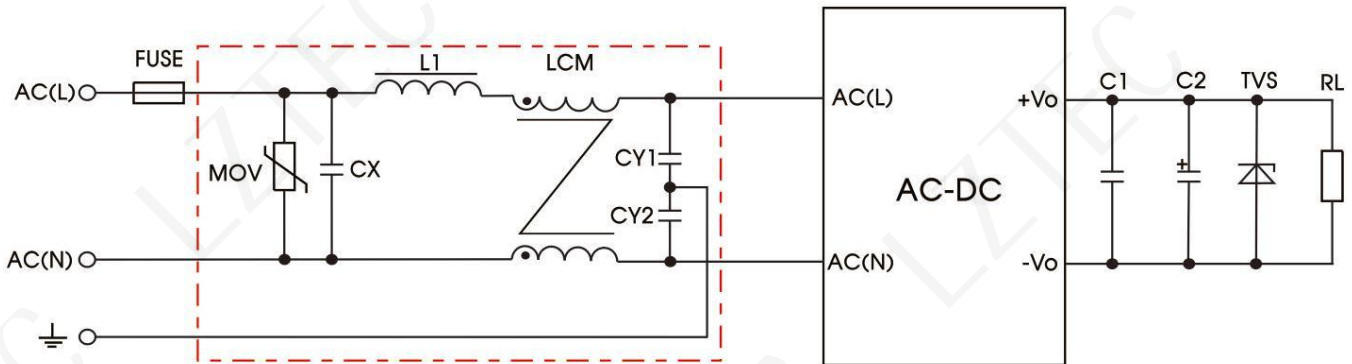
***Note:**

1. Peripheral EMC recommended circuitry must be added for test items marked with .
2. Unless otherwise specified, all data above are measured under conditions of TA=25°C and humidity <75%.

TYPICAL APPLICATION



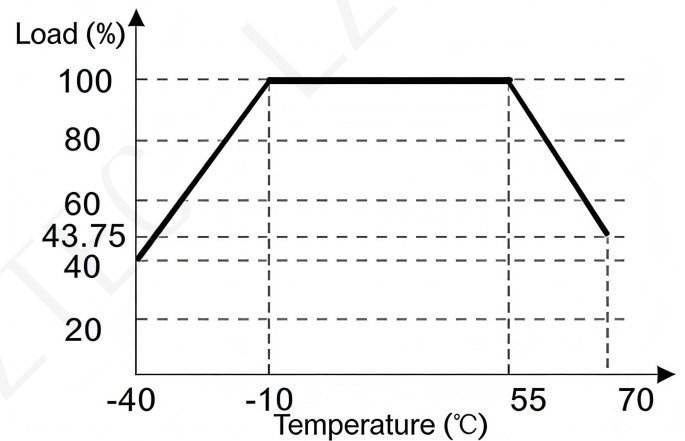
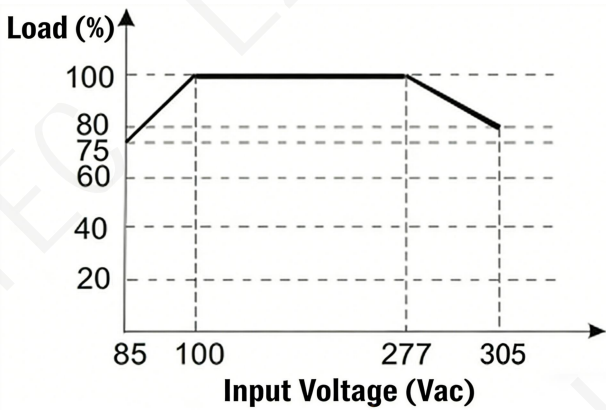
EMC recommended circuit



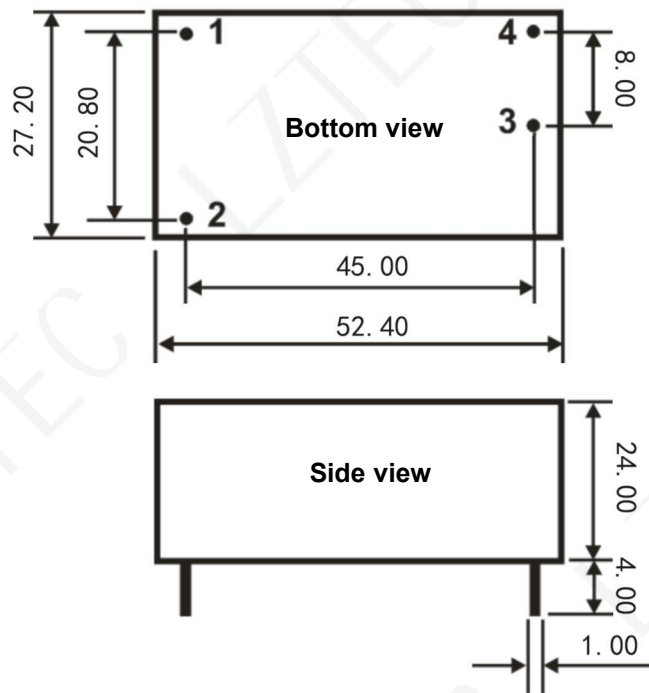
Component	Recommended Value
MOV	14D561
CY1、CY2	1000pF/400VAC
CX	0.1uF/275VAC
LCM	>10mH
L1	4.7uH/2A
FUSE	3.15A/300V, slow break

INPUT VOLTAGE VERSUS LOAD DIAGRAM

TEMPERATURE VS. LOAD



APPEARANCE AND SIZE

Unit: mm Tolerance: $\pm 0.5\text{mm}$

Pin No.	1	2	3	4
Definition	AC(L)	AC(N)	+Vo	-Vo

Zhuhai Lizhi Technology Co., Ltd

E-Mail: sales@lyztec.com

E-Mail: zena.liu@lyztec.com

WEB:WWW.LYZTEC.COM